

4

3

2

1

THIS DRAWING IS UNPUBLISHED. RELEASED FOR PUBLICATION

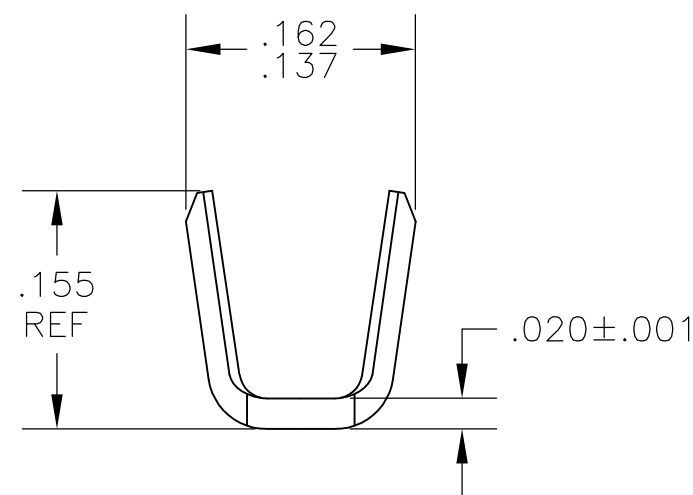
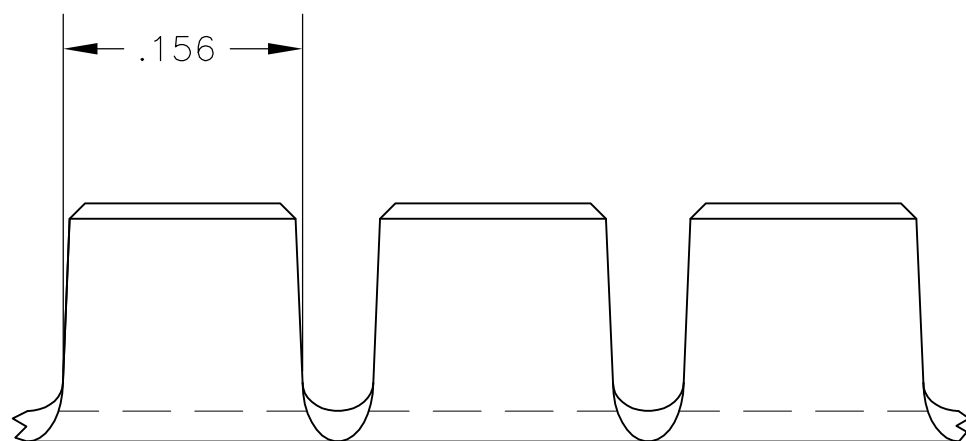
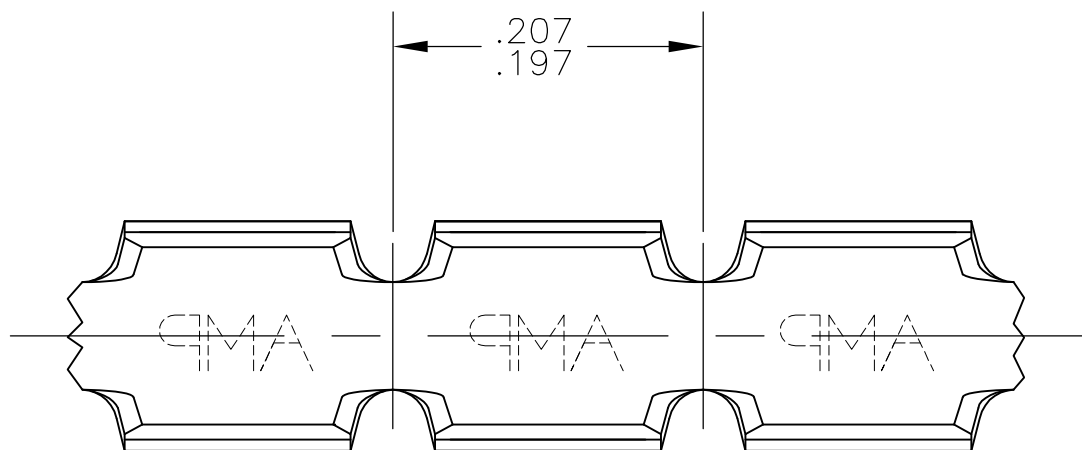
© COPYRIGHT BY TYCO ELECTRONICS CORPORATION. ALL RIGHTS RESERVED.

LOC AF DIST 50

REVISIONS

P	LTR	DESCRIPTION	DATE	DWN	APVD
	R1	ECR-07-018635(REDRAWN IN AUTOCAD)	02JUL07	HMR	GP

1 WIRE RANGE: 2500 TO 4700 CMA



41397
PART NO

THIS DRAWING IS A CONTROLLED DOCUMENT.		DWN RAGHAVENDRA 02JUL07	Tyco Electronics Corporation Harrisburg, PA 17105-3608		
DIMENSIONS: INCHES		CHK G.D.PORTA 02JUL07	NAME		
TOLERANCES UNLESS OTHERWISE SPECIFIED:		APVD G.D.PORTA 02JUL07	PRODUCT SPEC		
<ul style="list-style-type: none"> 0 PLC ± - 1 PLC ± - 2 PLC ± - 3 PLC ± .010 4 PLC ± - ANGLES ± - 		APPLICATION SPEC		SPLICE	
MATERIAL TEMP 3 STEEL		FINISH NICKEL		SIZE A3	CAGE CODE 00779
		WEIGHT -		DRAWING NO C-41397	RESTRICTED TO -
CUSTOMER DRAWING			SCALE 8:1	SHEET 1 OF 1	REV R1